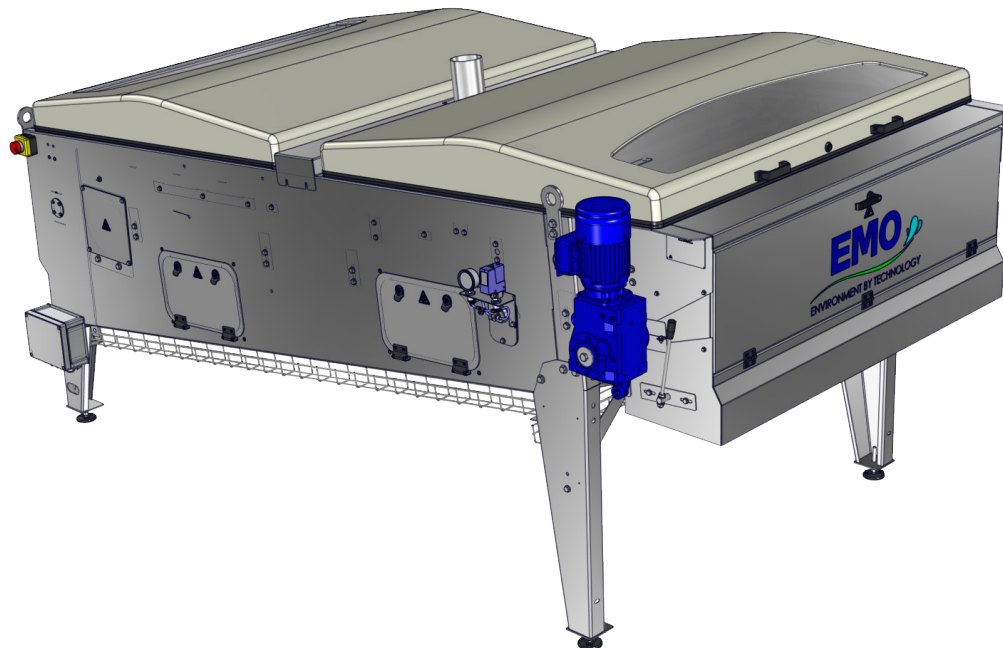




The Gravity Belt Thickener OMEGA MDV2 is designed for the continuous mechanical thickening of municipal or industrial sludge. This simple and efficient technology aims at reducing the sludge volume at least 4 times!



ADVANTAGES

- A new design for an optimal sludge treatment
- Easy and low maintenance
- Permanent visual control of the process through lateral inspection hatches
- Safe and ergonomical machine
- Fully covered equipment to allow odourless operation

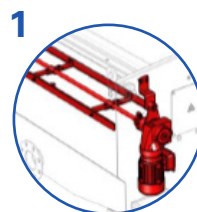




OPERATING PRINCIPLE

The operation of the Gravity Belt Thickener OMEGA, developed by EMO, relies on three essential steps: **flocculation**, **filtration** and **pressing**.

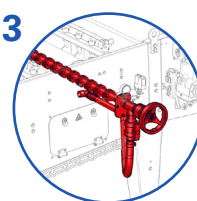
The thickening process starts with flocculation: a first liquid/solid separation which aims to give structure to the sludge. The flocculated sludge is then poured onto the filtering belt: the water flows freely through the filtering belt while the sludge is led to a final pressing stage. The thickened sludge is then scraped off and discharged.



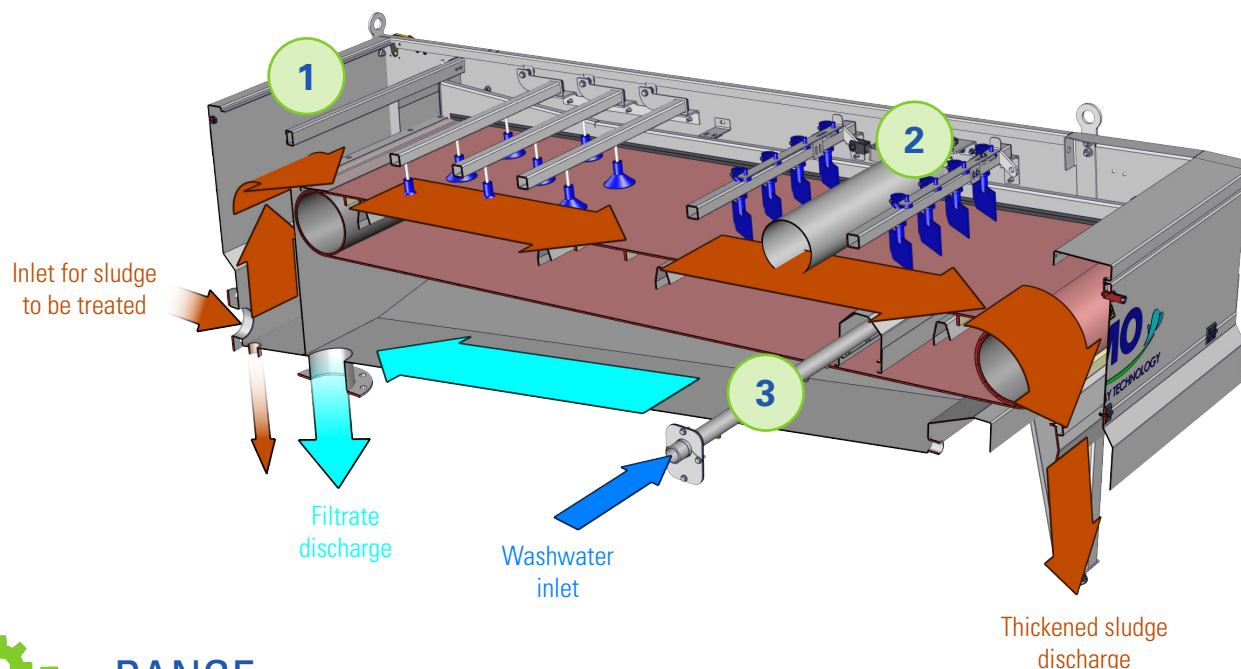
1 Option: integrated agitator
Progressive flocculation time and homogeneous sludge distribution on the filtering belt.



2 Levelling roller(s)
Space available to add one second levelling roller for even better dryness.



3 Belt washing spraybar with internal brushes
Efficient and continuous belt cleaning (manual handwheel or automatic motorised spraybar).



RANGE & SELECTION TABLE

The capacity of the Gravity Belt Thickener is determined by the inlet DS concentration and hydraulic flow rate parameters, together with the output DS concentration required. The figures shown below are values for inlet DS % 5 to 10 g/l and an expected output of DS % of 70 g/l. These values can be revised for other parameters – for example – if the inlet DS % is greater than 10 g/l or if the expected output DS % is less than 50 g/l.

Model	Maximum flow capacity (m ³ /h)	Belt width (mm)	Active drainage surface (m ²)
10 MD V2	20	1000	2,45
15 MD V2	30	1500	3,75
20 MD V2	40	2000	5,00
25 MD V2	50	2500	6,30
30 MD V2	60	3000	7,60

EMO sas

4 rue Lépine – PA La Richardière, BP 53209, 35530 Noyal sur Vilaine, France
+ 33 (0)2 99 86 02 03 - emo@emo-france.com

www.emo-france.com

Certification ISO9001 - ISO14001



A company of **SEMOSIA** GROUP